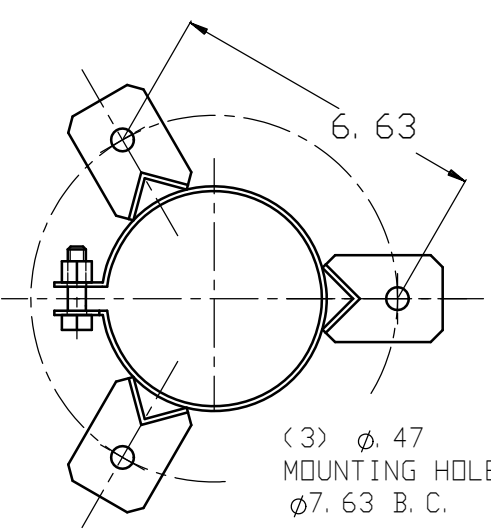
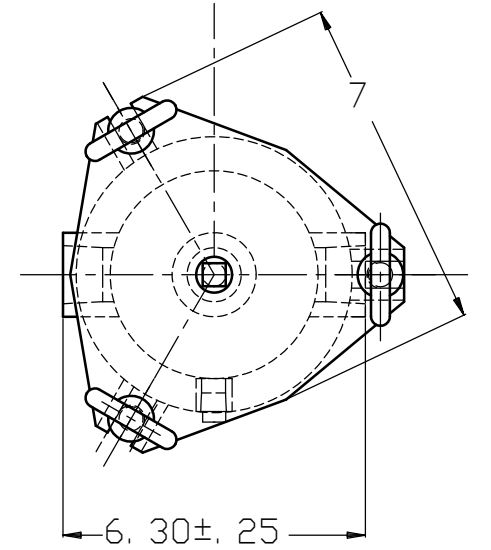
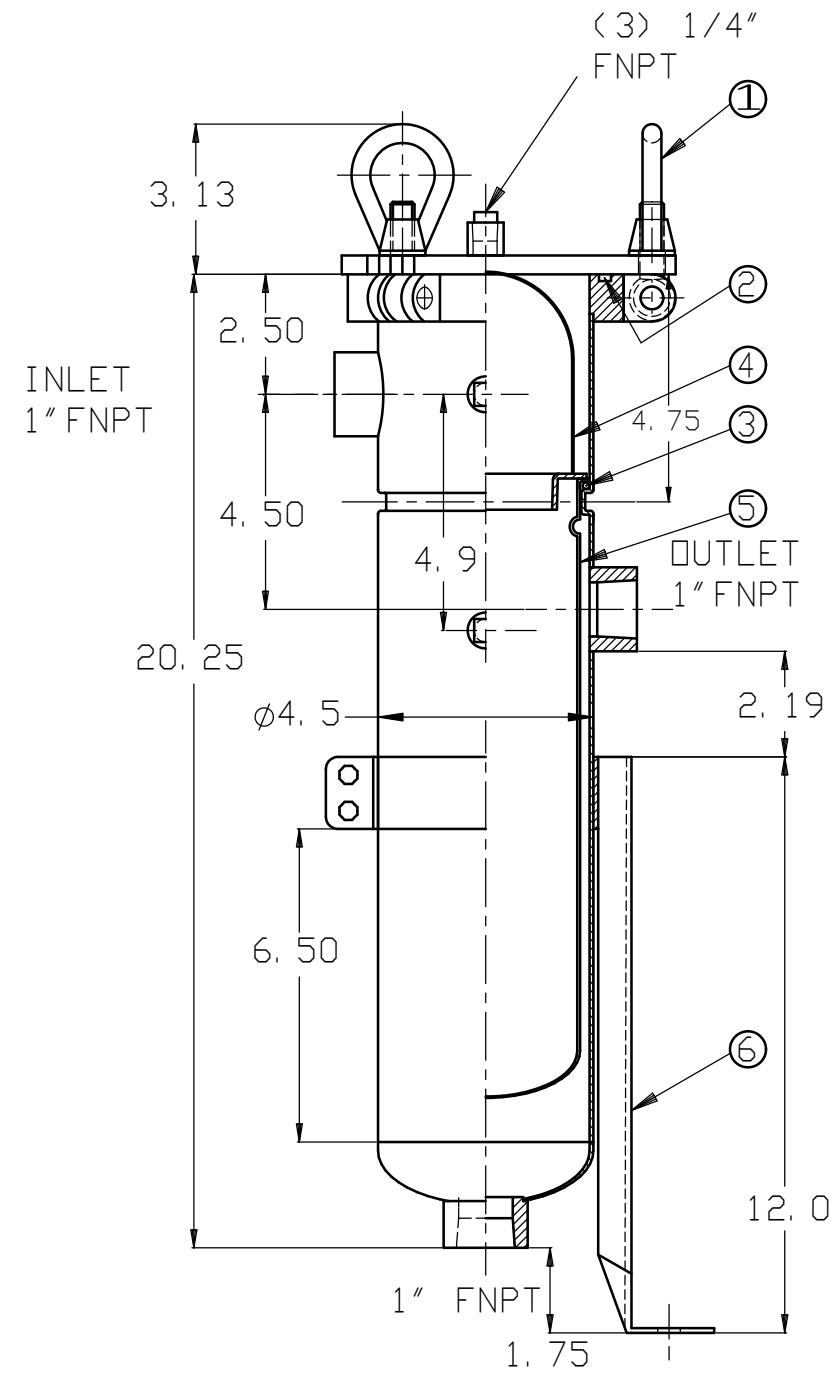


8 7 6 5 4 3 2 1

TABULATION

PART NO.	DESCRIPTION	GLOBAL FILTER MODEL NO.
CS108-01	FLTR HSG ASSY, 1" FNPT SIBOSO GBFE4 SER, 304 SS	GBFE4121N3430GB
CS108-02	FLTR HSG ASSY, 1" FNPT SIBOSO GBFE4 SER, 316 SS	GBFE4121N3630GB



BILL OF MATERIALS		
ITEM	DESCRIPTION	
1	EYE BOLT ASSEMBLY	3
2	LID O-RING, -351	1
3	BASKET SEAT O-RING, -240	1
4	BASKET HOLD DOWN	1
5	BASKET	1
6	LEG ASSEMBLY	1

SHIPPING WEIGHT AND SIZE MAY DIFFER FROM STATED VALUES DUE TO PALLETIZING AND QUANTITY CONSIDERATIONS		
VESSEL SIZE	BOXED WEIGHT (LBS)	BOX SIZE (INCHES)
SIZE 4	25	11 x 11 x 25

**PROPRIETARY AND CONFIDENTIAL**  
 THE INFORMATION CONTAINED IN THIS DRAWING IS THE SOLE PROPERTY OF GLOBAL FILTER LLC. ANY REPRODUCTION IN PART OR AS A WHOLE WITHOUT THE WRITTEN PERMISSION OF GLOBAL FILTER LLC IS PROHIBITED.

REFERENCE ENGINEERING DRAWING 21119

REV	EC NUMBER	NAME	DATE
A	EC150219-02	ME	3-6-15
EC HISTORY		ENG APPR.	EG 3-13-15

**GLOBAL FILTER LLC**

TITLE: **FLTR HSG ASSY, 1" FNPT SIBOSO GBFE4 SER, TAB**

SIZE: **B** DWG. NO.: **CS108** REV: **A**

SCALE: 1:4 WEIGHT: SHEET 1 OF 1

NOTES:  
 1. UNLESS TOLERANCES ARE INDICATED, ALL DIMENSIONS ARE REFERENCE.

8 7 6 5 4 3 2 1