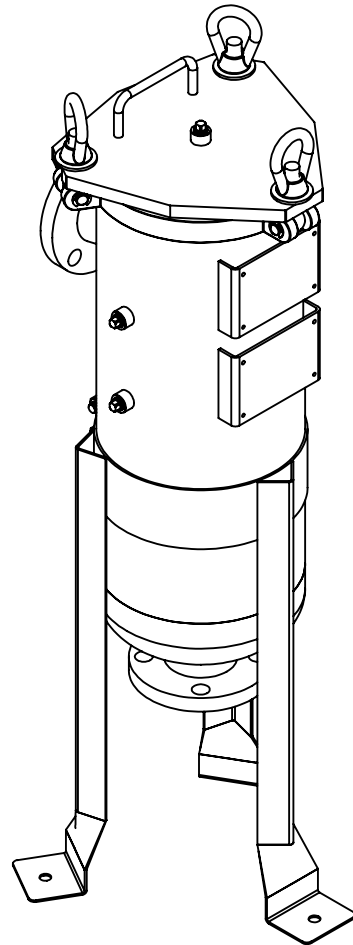
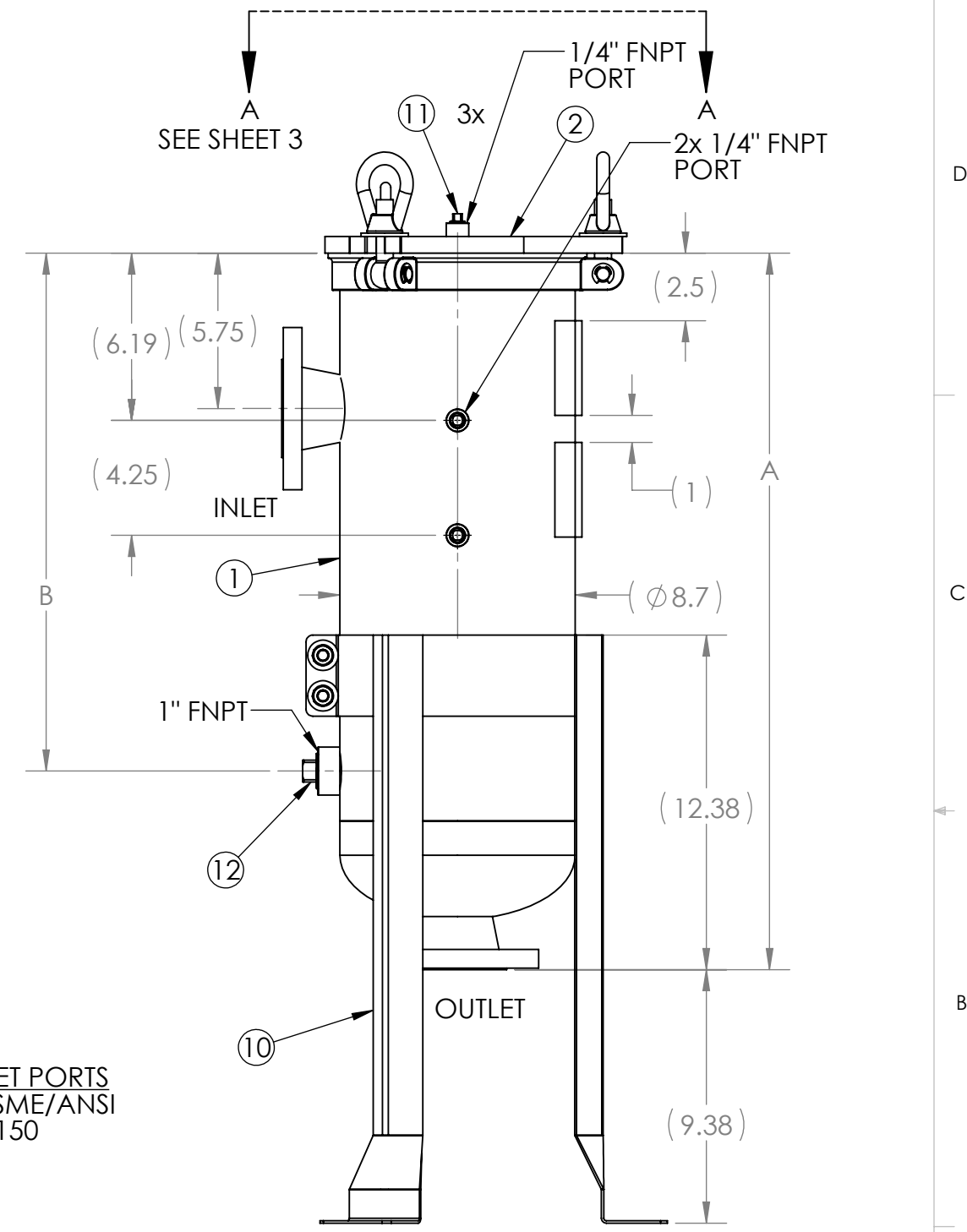


DESCRIPTION	GLOBAL FILTER MODEL NO.	DIM A (INCHES)	DIM B (INCHES)
FLTR HSG ASSY, 2" FLG SIBO, SIZE 1, 304 SS, GLASS BEAD	GBFV8152F1415GB	(26.50)	(19.16)
FLTR HSG ASSY, 2" FLG SIBO, SIZE 1, 304 SS, GLASS BEAD, CODE	GBFV8152F1415GBU		
FLTR HSG ASSY, 2" FLG SIBO, SIZE 1, 304 SS, ELECTROPOLISH	GBFV8152F1415EP		
FLTR HSG ASSY, 2" FLG SIBO, SIZE 1, 304 SS, ELECTROPOLISH, CODE	GBFV8152F1415EPU		
FLTR HSG ASSY, 2" FLG SIBO, SIZE 1, 316 SS, GLASS BEAD	GBFV8152F1615GB		
FLTR HSG ASSY, 2" FLG SIBO, SIZE 1, 316 SS, GLASS BEAD, CODE	GBFV8152F1615GBU		
FLTR HSG ASSY, 2" FLG SIBO, SIZE 1, 316 SS, ELECTROPOLISH	GBFV8152F1615EP		
FLTR HSG ASSY, 2" FLG SIBO, SIZE 1, 316 SS, ELECTROPOLISH, CODE	GBFV8152F1615EPU		
FLTR HSG ASSY, 2" FLG SIBO, SIZE 2, 304 SS, GLASS BEAD	GBFV8302F1415GB	(41.88)	(34.53)
FLTR HSG ASSY, 2" FLG SIBO, SIZE 2, 304 SS, GLASS BEAD, CODE	GBFV8302F1415GBU		
FLTR HSG ASSY, 2" FLG SIBO, SIZE 2, 304 SS, ELECTROPOLISH	GBFV8302F1415EP		
FLTR HSG ASSY, 2" FLG SIBO, SIZE 2, 304 SS, ELECTROPOLISH, CODE	GBFV8302F1415EPU		
FLTR HSG ASSY, 2" FLG SIBO, SIZE 2, 316 SS, GLASS BEAD	GBFV8302F1615GB		
FLTR HSG ASSY, 2" FLG SIBO, SIZE 2, 316 SS, GLASS BEAD, CODE	GBFV8302F1615GBU		
FLTR HSG ASSY, 2" FLG SIBO, SIZE 2, 316 SS, ELECTROPOLISH	GBFV8302F1615EP		
FLTR HSG ASSY, 2" FLG SIBO, SIZE 2, 316 SS, ELECTROPOLISH, CODE	GBFV8302F1615EPU		



SCALE 1 : 8



INLET & OUTLET PORTS
2" FLANGE ASME/ANSI
B16.5 CLASS 150

REFERENCE ENGINEERING DRAWING 21082

SHIPPING WEIGHT AND SIZE MAY DIFFER FROM STATED VALUES DUE TO PALLETIZING AND QUANTITY CONSIDERATIONS

VESSEL SIZE	BOXED WEIGHT (LBS)	BOX SIZE (INCHES)
SIZE 1	80	16 x 16 x 45
SIZE 2	90	16 x 16 x 50

NOTES:
1. SEE SHEET 2 FOR BILL OF MATERIALS.

PROPRIETARY AND CONFIDENTIAL
THE INFORMATION CONTAINED IN THIS DRAWING IS THE SOLE PROPERTY OF GLOBAL FILTER LLC. ANY REPRODUCTION IN PART OR AS A WHOLE WITHOUT THE WRITTEN PERMISSION OF GLOBAL FILTER LLC IS PROHIBITED.

A		EC140502-01		MATERIAL SEE TABULATION TABLE		GLOBAL FILTER LLC	
REV		EC NUMBER		FINISH SEE TABULATION TABLE		TITLE: FLTR HSG ASSY, 2" FLG SIBO GBFV8 SER, TAB	
A		EC HISTORY		DRAWN BY ME		SIZE DWG. NO. B CS050	
				DATE 5-1-14		REV A	
				ENG APPR. EG		SCALE: 1:6 WEIGHT: SHEET 1 OF 3	

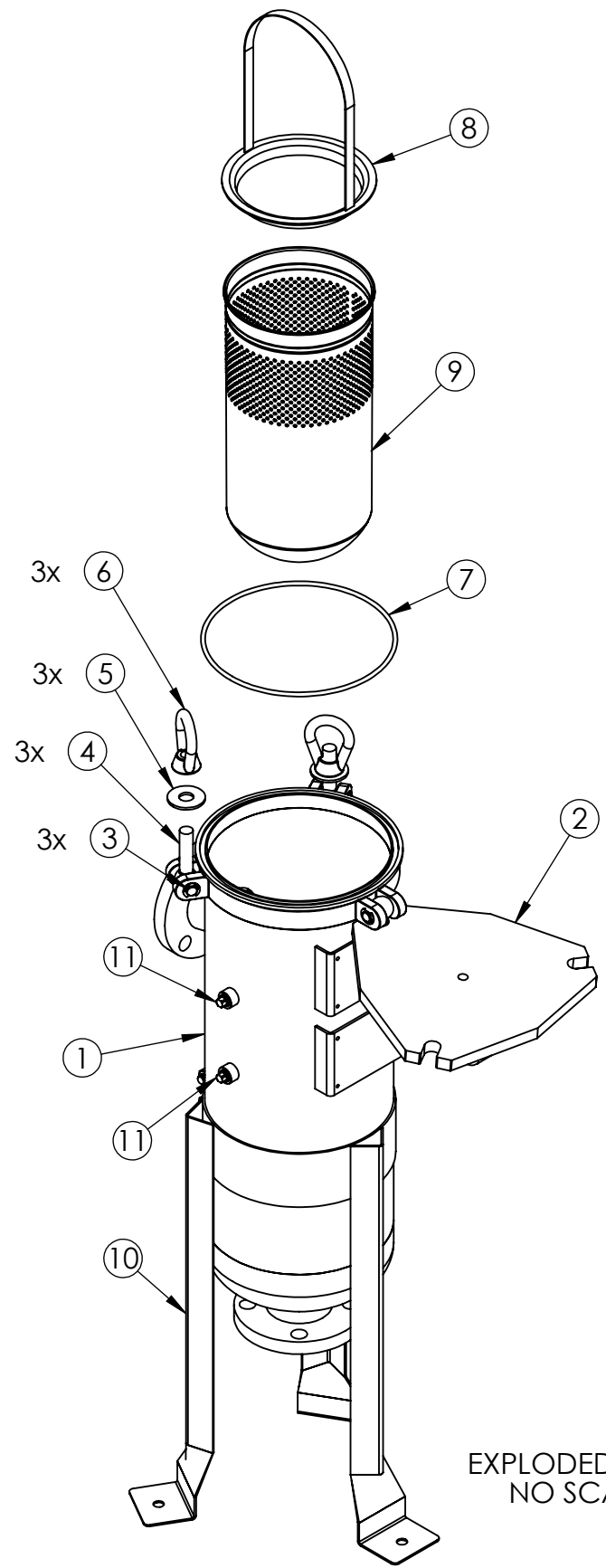
BILL OF MATERIALS

ITEM	PART NO.	DESCRIPTION	CS050-xx															
			-01 QTY	-02 QTY	-03 QTY	-04 QTY	-05 QTY	-06 QTY	-07 QTY	-08 QTY	-09 QTY	-10 QTY	-11 QTY	-12 QTY	-13 QTY	-14 QTY	-15 QTY	-16 QTY
1	24050-01	FLTR HSG WLDMNT, 2" FLG SIBO SIZE 1 304 SS, GBFV8	1	1	1	1												
	24050-03	FLTR HSG WLDMNT, 2" FLG SIBO SIZE 2 304 SS, GBFV8									1	1	1	1				
	24050-02	FLTR HSG WLDMNT, 2" FLG SIBO SIZE 1 316 SS, GBFV8					1	1	1	1								
	24050-04	FLTR HSG WLDMNT, 2" FLG SIBO SIZE 2 316 SS, GBFV8													1	1	1	1
2	24043-02	LID WELDMENT, 304 SS, GBFV8	1	1	1	1					1	1	1	1				
	24043-03	LID WELDMENT, 316 SS, GBFV8					1	1	1	1					1	1	1	1
3	33006	CLEVIS PIN WITH RETAINING RINGS KIT	3	3	3	3	3	3	3	3	3	3	3	3	3	3	3	3
4	33005-01	EYE BOLT, 5/8"-11 x 2 3/4" LONG	3	3	3	3	3	3	3	3	3	3	3	3	3	3	3	3
5	33004-01	WASHER, FLAT, 5/8" ID x 1 3/4" OD x 1/8" THK	3	3	3	3	3	3	3	3	3	3	3	3	3	3	3	3
6	33003-02-4	EYE NUT, 5/8"-11	3	3	3	3	3	3	3	3	3	3	3	3	3	3	3	3
7	18055-M220x5-N70	O-RING, -220, NITRILE 70	1	1	1	1	1	1	1	1	1	1	1	1	1	1	1	1
8	27079-02	WELDMENT, BASKET HOLD DOWN, 304 SS, GBFV8	1	1	1	1					1	1	1	1				
	27079-03	WELDMENT, BASKET HOLD DOWN, 316 SS, GBFV8					1	1	1	1					1	1	1	1
9	27060-01	BASKET, ROUND BOTTOM, SIZE 1, STD 304 SS	1	1	1	1												
	27060-02	BASKET, ROUND BOTTOM, SIZE 2, STD 304 SS									1	1	1	1				
	27060-03	BASKET, ROUND BOTTOM, SIZE 1, STD 316 SS					1	1	1	1								
	27060-04	BASKET, ROUND BOTTOM, SIZE 2, STD 316 SS													1	1	1	1
10	27077-02	LEG ASSEMBLY KIT, 304 SS, GBFV8	1	1	1	1					1	1	1	1				
	27077-03	LEG ASSEMBLY KIT, 316 SS, GBFV8					1	1	1	1					1	1	1	1
11	PURCHASED	PIPE PLUG, 1/4" HEX HEAD, 304 SS	3	3	3	3					3	3	3	3				
		PIPE PLUG, 1/4" HEX HEAD, 316 SS					3	3	3	3					3	3	3	3
12	PURCHASED	PIPE PLUG, 1" HEX HEAD, 304 SS	1	1	1	1					1	1	1	1				
		PIPE PLUG, 1" HEX HEAD, 316 SS					1	1	1	1					1	1	1	1

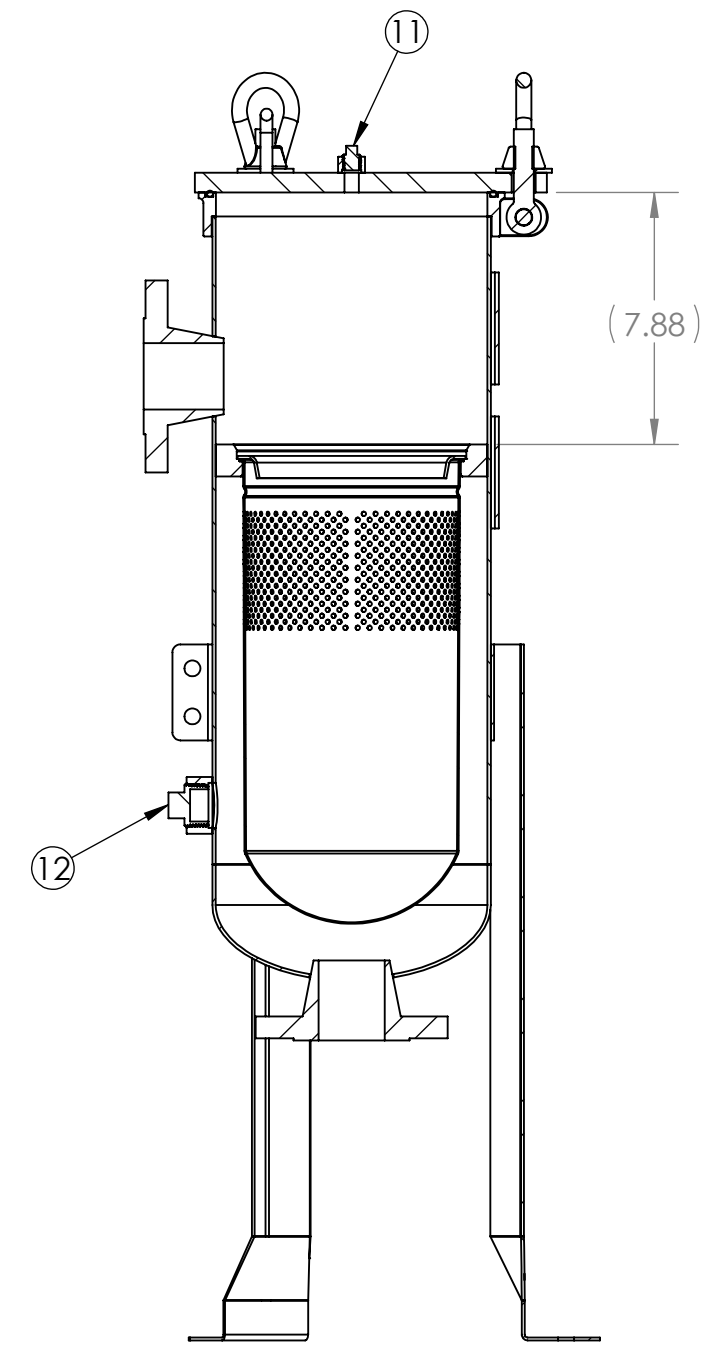
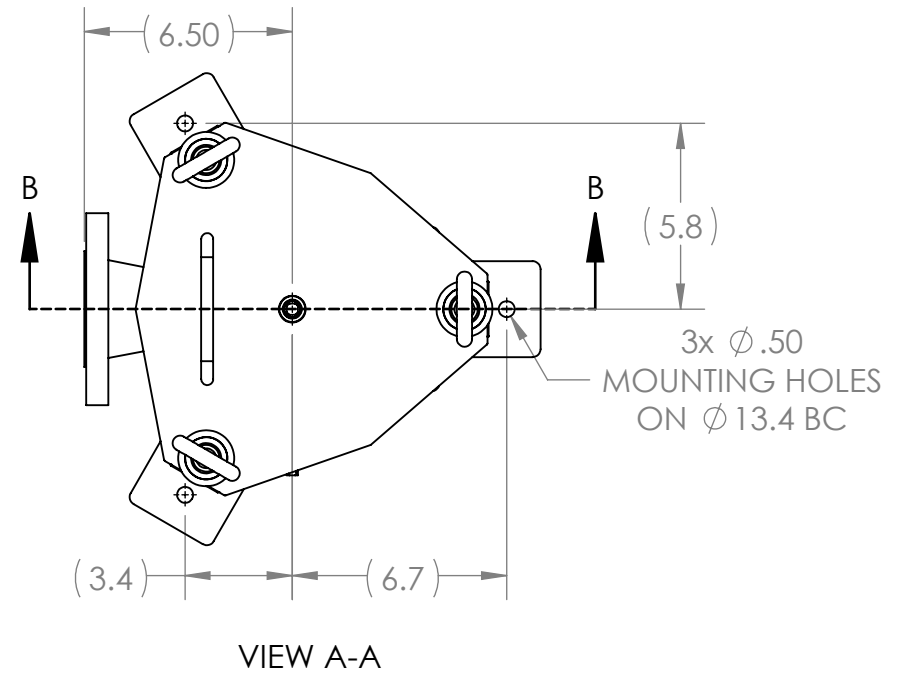
SIZE B	DWG. NO. CS050	REV A
SCALE: 1:1	WEIGHT:	SHEET 2 OF 3

8 7 6 5 4 3 2 1

D
C
B
A



EXPLODED VIEW
NO SCALE



SECTION B-B

8 7 6 5 4 3 2 1

SIZE	DWG. NO.	REV
B	CS050	A
SCALE: 1:6	WEIGHT:	SHEET 3 OF 3