

DESCRIPTION	GLOBAL FILTER MODEL NO.	DIM A (INCHES)	DIM B (INCHES)
FLTR HSG ASSY, 2" NPT SIBOSO, SIZE 1, 304 SS, GLASS BEAD	GBFV8152N3415GB	25.44	19.16
FLTR HSG ASSY, 2" NPT SIBOSO, SIZE 1, 304 SS, GLASS BEAD, CODE	GBFV8152N3415GBU		
FLTR HSG ASSY, 2" NPT SIBOSO, SIZE 1, 304 SS, ELECTROPOLISH	GBFV8152N3415EP		
FLTR HSG ASSY, 2" NPT SIBOSO, SIZE 1, 304 SS, ELECTROPOLISH, CODE	GBFV8152N3415EPU		
FLTR HSG ASSY, 2" NPT SIBOSO, SIZE 1, 316 SS, GLASS BEAD	GBFV8152N3615GB		
FLTR HSG ASSY, 2" NPT SIBOSO, SIZE 1, 316 SS, GLASS BEAD, CODE	GBFV8152N3615GBU		
FLTR HSG ASSY, 2" NPT SIBOSO, SIZE 1, 316 SS, ELECTROPOLISH	GBFV8152N3615EP		
FLTR HSG ASSY, 2" NPT SIBOSO, SIZE 1, 316 SS, ELECTROPOLISH, CODE	GBFV8152N3615EPU		
FLTR HSG ASSY, 2" NPT SIBOSO, SIZE 2, 304 SS, GLASS BEAD	GBFV8302N3415GB	41.88	34.38
FLTR HSG ASSY, 2" NPT SIBOSO, SIZE 2, 304 SS, GLASS BEAD, CODE	GBFV8302N3415GBU		
FLTR HSG ASSY, 2" NPT SIBOSO, SIZE 2, 304 SS, ELECTROPOLISH	GBFV8302N3415EP		
FLTR HSG ASSY, 2" NPT SIBOSO, SIZE 2, 304 SS, ELECTROPOLISH, CODE	GBFV8302N3415EPU		
FLTR HSG ASSY, 2" NPT SIBOSO, SIZE 2, 316 SS, GLASS BEAD	GBFV8302N3615GB		
FLTR HSG ASSY, 2" NPT SIBOSO, SIZE 2, 316 SS, GLASS BEAD, CODE	GBFV8302N3615GBU		
FLTR HSG ASSY, 2" NPT SIBOSO, SIZE 2, 316 SS, ELECTROPOLISH	GBFV8302N3615EP		
FLTR HSG ASSY, 2" NPT SIBOSO, SIZE 2, 316 SS, ELECTROPOLISH, CODE	GBFV8302N3615EPU		

C

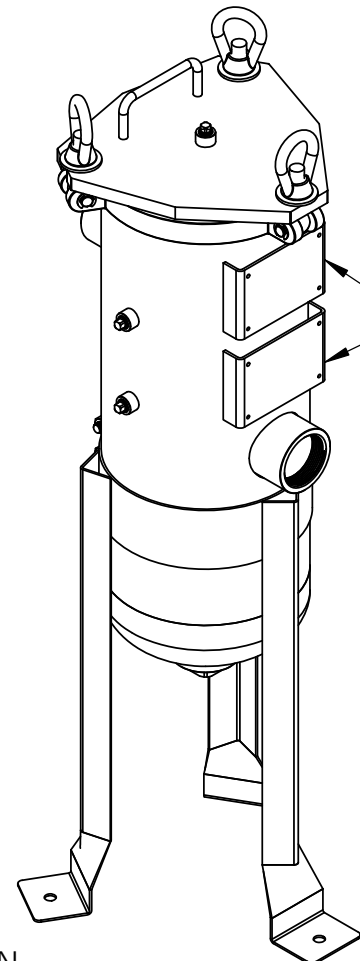
B

SHIPPING WEIGHT AND SIZE MAY DIFFER FROM STATED VALUES DUE TO PALLETIZING AND QUANTITY CONSIDERATIONS

VESSEL SIZE	BOXED WEIGHT (LBS)	BOX SIZE (INCHES)
SIZE 1	85	16 x 16 x 45
SIZE 2	90	16 x 16 x 50

A

- NOTES:
- SEE SHEET 2 FOR BILL OF MATERIALS.
  - ALL MODELS COMPLY WITH REQUIREMENTS FOR DESIGN AND CONSTRUCTION IN ACCORDANCE WITH THE ASME BOILER & PRESSURE VESSEL CODE, SECTION VIII, DIVISION 1. MODELS BEARING THE "U" OR "UM" STAMP ARE REGISTERED WITH THE NATIONAL BOARD OF BOILER AND PRESSURE VESSEL INSPECTORS.
  - ASME CODE STAMPED VESSELS WILL HAVE TWO NAME PLATE BRACKETS, NON-CODE STAMPED VESSELS WILL HAVE ONE ADHESIVE LABEL.



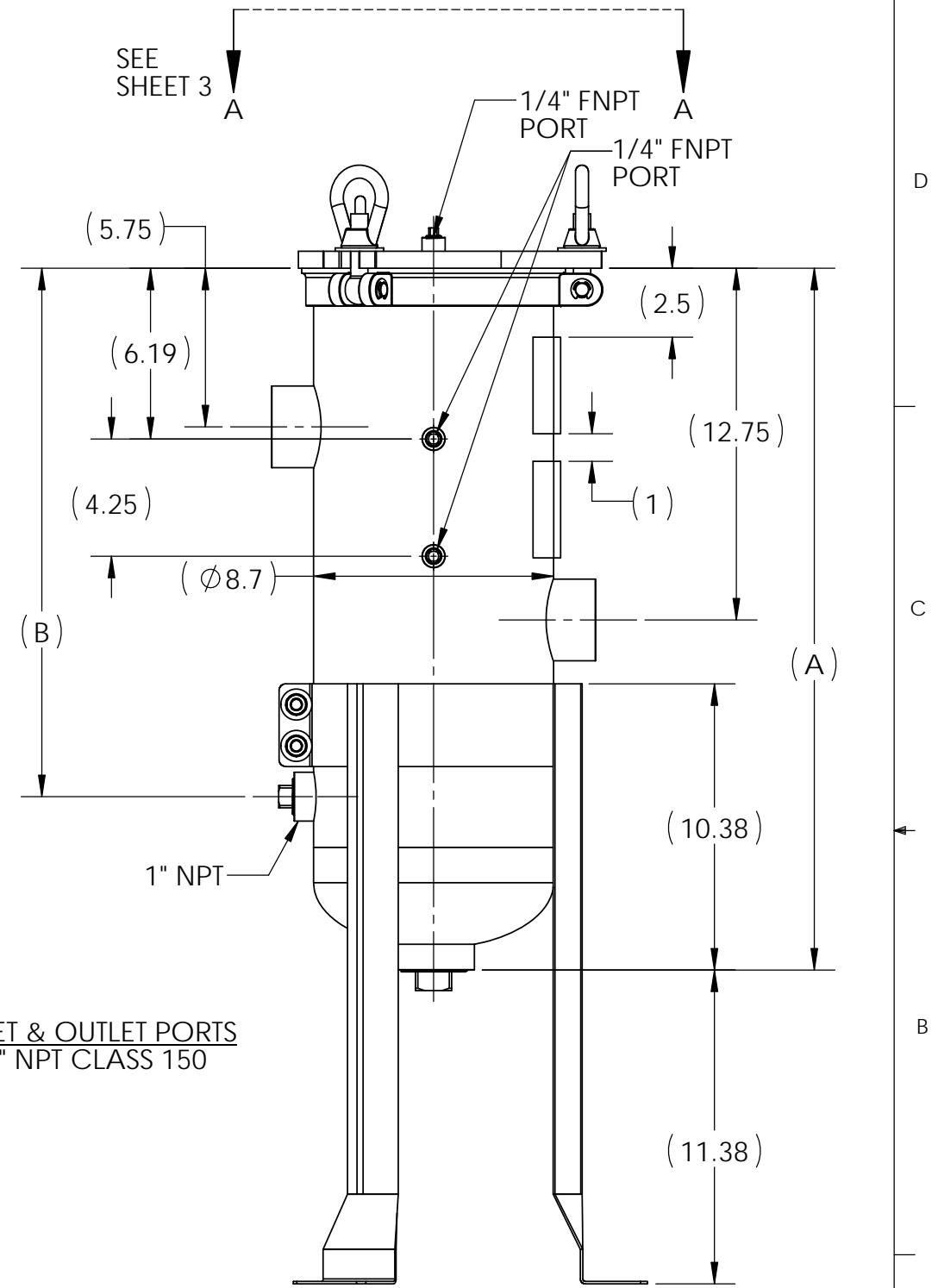
SCALE 1:8

**PROPRIETARY AND CONFIDENTIAL**  
 THE INFORMATION CONTAINED IN THIS DRAWING IS THE SOLE PROPERTY OF GLOBAL FILTER LLC. ANY REPRODUCTION IN PART OR AS A WHOLE WITHOUT THE WRITTEN PERMISSION OF GLOBAL FILTER LLC IS PROHIBITED.

REFERENCE ENGINEERING DRAWING 21132

MATERIAL		SEE TABULATION TABLE	
FINISH		SEE TABULATION TABLE	
REV	EC NUMBER	NAME	DATE
A	EC140715-01	ME	7-29-14
EC HISTORY		ENG APPR.	EG 7-29-14

<b>GLOBAL FILTER LLC</b>		
TITLE: FLTR HSG ASSY, 2" NPT SIBOSO GBFV8 SER, TAB		
SIZE	DWG. NO.	REV
<b>B</b>	<b>CS065</b>	<b>A</b>
SCALE: 1:6	WEIGHT:	SHEET 1 OF 3



INLET & OUTLET PORTS  
2" NPT CLASS 150

1" NPT

SEE NOTE 3

SEE SHEET 3

1/4" FNPT PORT

1/4" FNPT PORT

(5.75)

(6.19)

(4.25)

( $\phi$ 8.7)

(B)

(2.5)

(12.75)

(1)

(A)

(10.38)

(11.38)

8

7

6

5

4

3

2

1

8

7

6

5

4

3

2

1

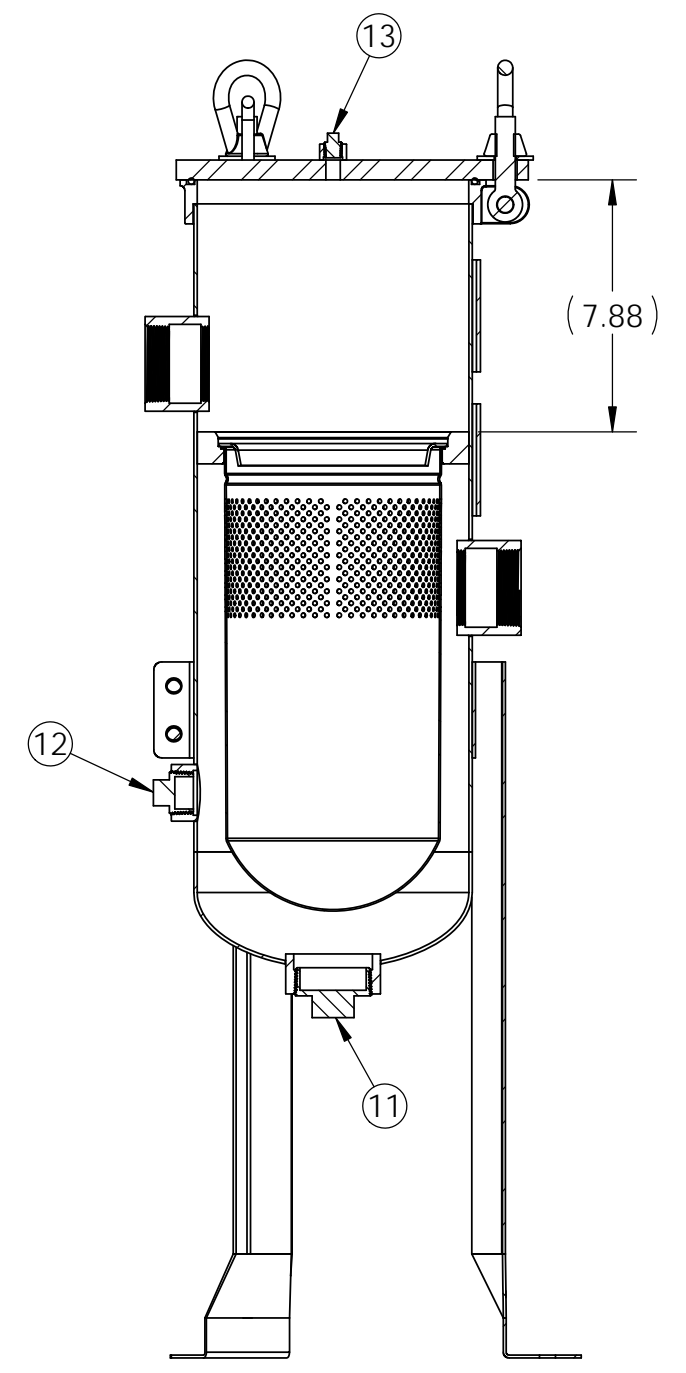
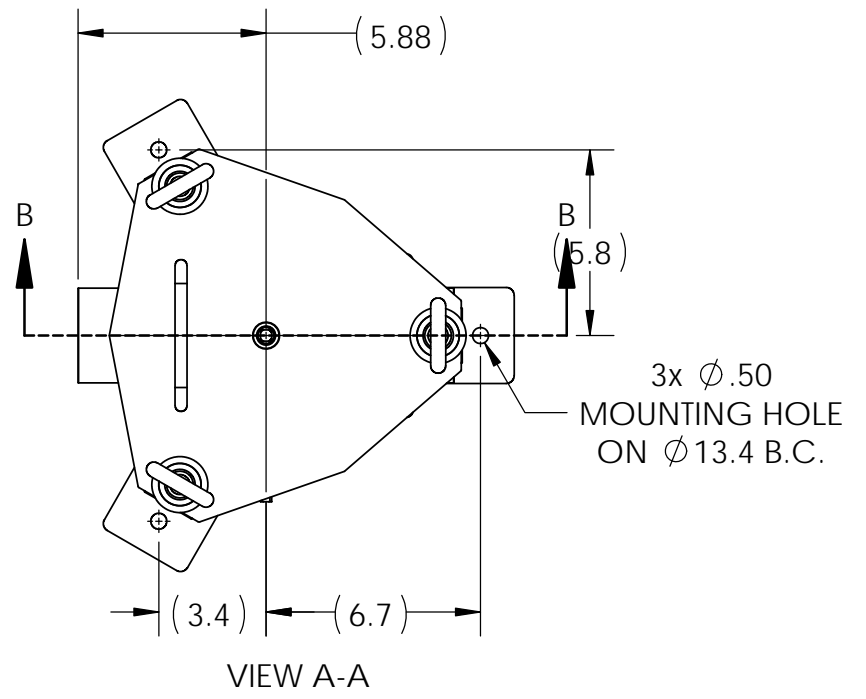
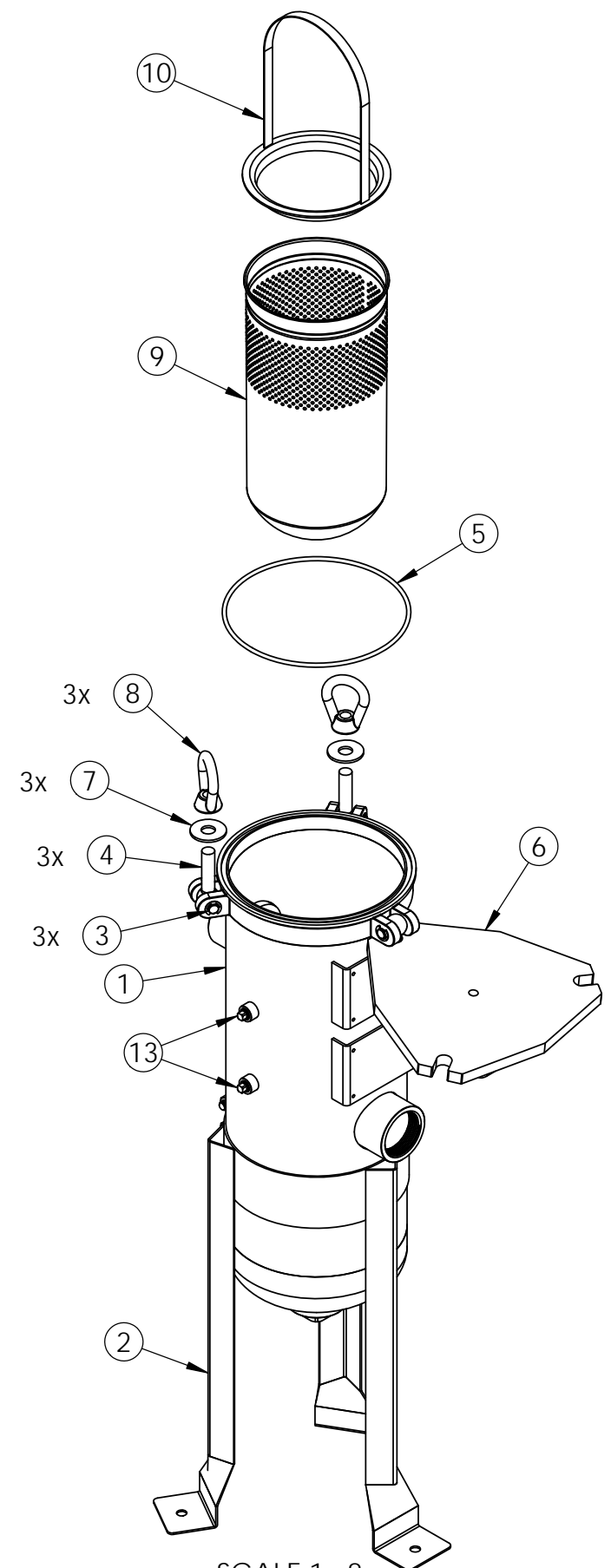
BILL OF MATERIALS

ITEM	DESCRIPTION	CS065-xx															
		-01 QTY	-02 QTY	-03 QTY	-04 QTY	-05 QTY	-06 QTY	-07 QTY	-08 QTY	-09 QTY	-10 QTY	-11 QTY	-12 QTY	-13 QTY	-14 QTY	-15 QTY	-16 QTY
1	FLTR HSG WLDMNT, 2" NPT SIBOSO GBFV8, SIZE 1 304 SS	1	1	1	1												
	FLTR HSG WLDMNT, 2" NPT SIBOSO GBFV8, SIZE 2 304 SS									1	1	1	1				
	FLTR HSG WLDMNT, 2" NPT SIBOSO GBFV8, SIZE 1 316 SS					1	1	1	1								
	FLTR HSG WLDMNT, 2" NPT SIBOSO GBFV8, SIZE 2 316 SS													1	1	1	1
2	LEG ASSEMBLY KIT, 304 SS, GBFV8	1	1	1	1					1	1	1	1				
	LEG ASSEMBLY KIT, 316 SS, GBFV8					1	1	1	1					1	1	1	1
3	CLEVIS PIN WITH RETAINING RINGS KIT	3	3	3	3	3	3	3	3	3	3	3	3	3	3	3	3
4	EYE BOLT, 5/8"-11 x 2 3/4" LONG	3	3	3	3	3	3	3	3	3	3	3	3	3	3	3	3
5	O-RING, -220, NITRILE 70	1	1	1	1	1	1	1	1	1	1	1	1	1	1	1	1
6	LID WELDMENT, 304 SS, GBFV8	1	1	1	1					1	1	1	1				
	LID WELDMENT, 316 SS, GBFV8					1	1	1	1					1	1	1	1
7	WASHER, FLAT, 5/8" ID x 1 3/4" OD x 1/8" THK	3	3	3	3	3	3	3	3	3	3	3	3	3	3	3	3
8	EYE NUT, 5/8"-11	3	3	3	3	3	3	3	3	3	3	3	3	3	3	3	3
9	BASKET, ROUND BOTTOM, SIZE 1, STD 304 SS	1	1	1	1												
	BASKET, ROUND BOTTOM, SIZE 2, STD 304 SS									1	1	1	1				
	BASKET, ROUND BOTTOM, SIZE 1, STD 316 SS					1	1	1	1								
	BASKET, ROUND BOTTOM, SIZE 2, STD 316 SS													1	1	1	1
10	WELDMENT, BASKET HOLD DOWN, 304 SS, GBFV8	1	1	1	1					1	1	1	1				
	WELDMENT, BASKET HOLD DOWN, 316 SS, GBFV8					1	1	1	1					1	1	1	1
11	PIPE PLUG, 2" NPT HEX HEAD, 304 SS	1	1	1	1					1	1	1	1				
	PIPE PLUG, 2" NPT HEX HEAD, 316 SS					1	1	1	1					1	1	1	1
12	PIPE PLUG, 1" NPT HEX HEAD, 304 SS	1	1	1	1					1	1	1	1				
	PIPE PLUG, 1" NPT HEX HEAD, 316 SS					1	1	1	1					1	1	1	1
13	PIPE PLUG, 1/4" NPT HEX HEAD, 304 SS	3	3	3	3					3	3	3	3				
	PIPE PLUG, 1/4" NPT HEX HEAD, 316 SS					3	3	3	3					3	3	3	3

D  
C  
B  
A

D  
C  
B  
A

SIZE <b>B</b>	DWG. NO. <b>CS065</b>	REV <b>A</b>
SCALE: 1:1	WEIGHT:	SHEET 2 OF 3



SCALE 1 : 8

SECTION B-B

SIZE <b>B</b>	DWG. NO. <b>CS065</b>	REV <b>A</b>
SCALE: 1:6	WEIGHT:	SHEET 3 OF 3