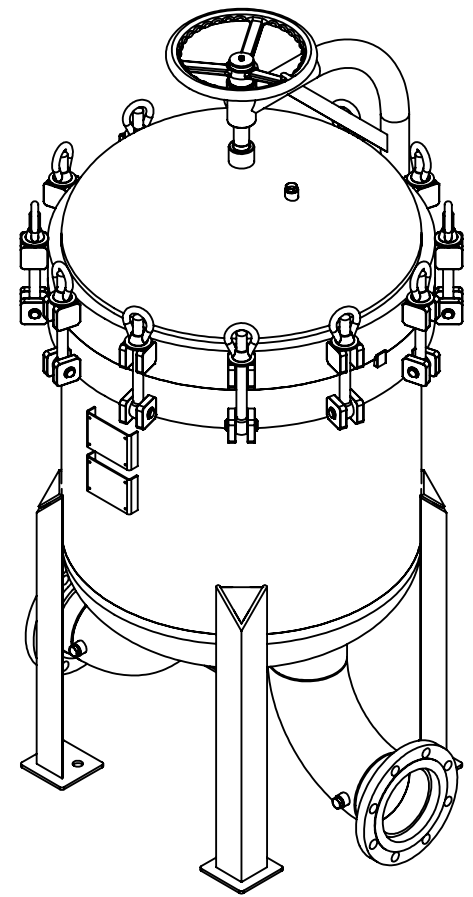
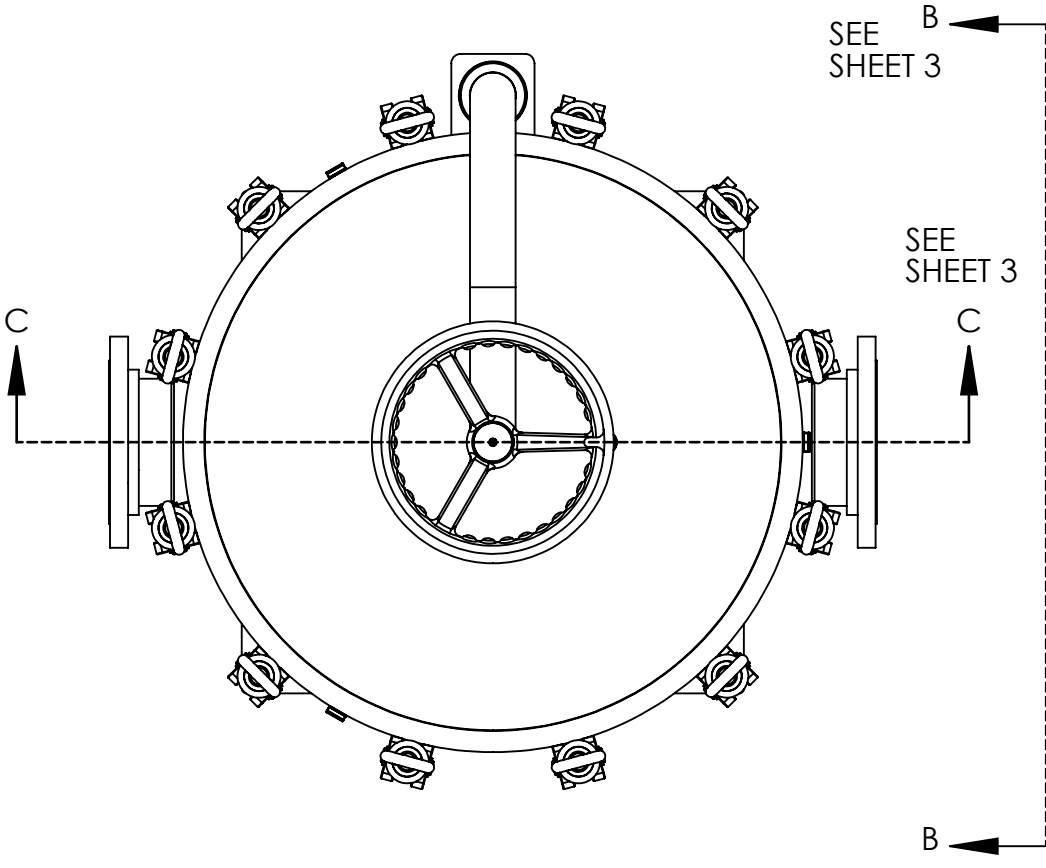
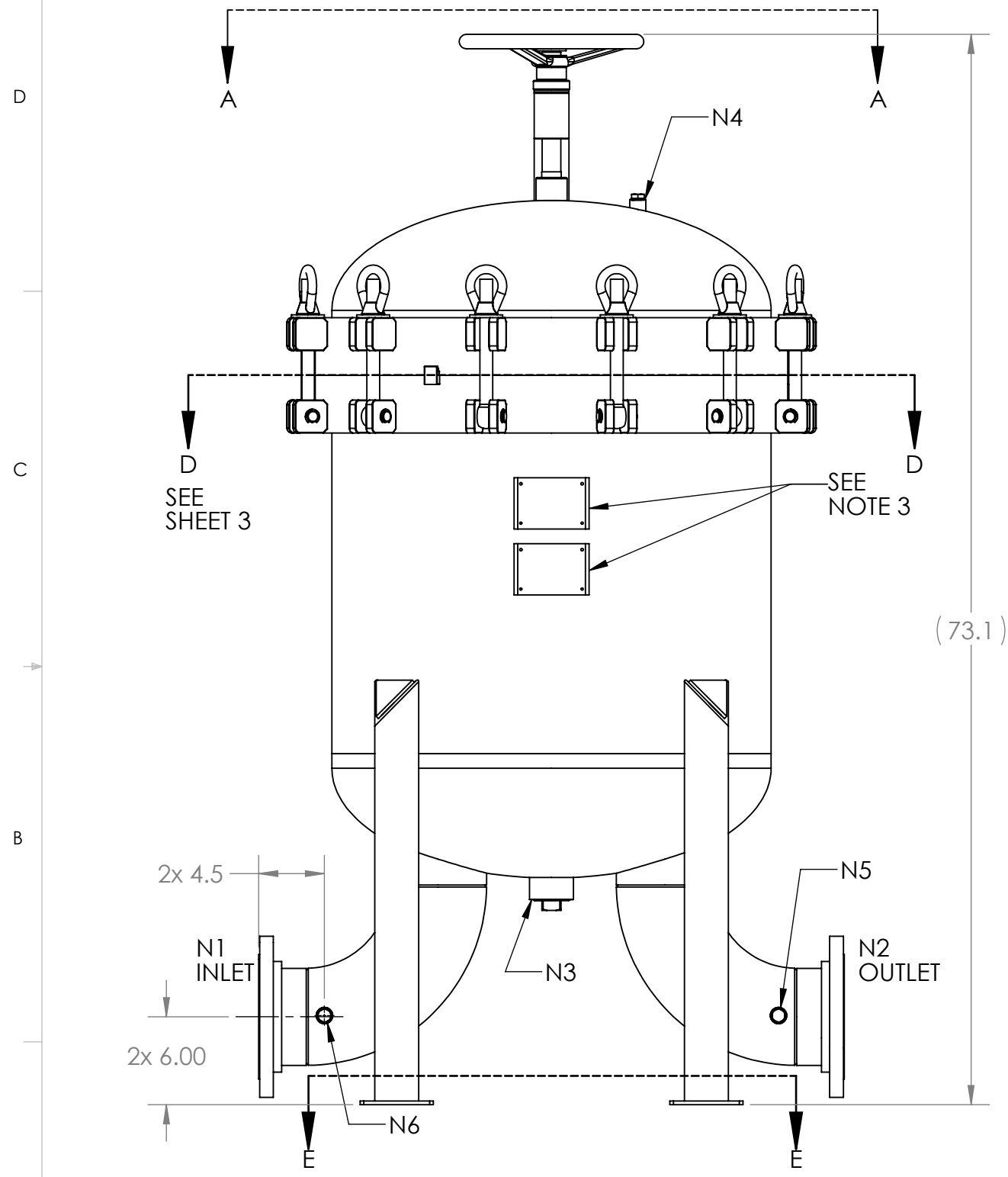


8 7 6 5 4 3 2 1

TABULATION		
PART NO.	DESCRIPTION	GLOBAL FILTER MODEL NO.
CS086-01	FLTR HSG ASSY, GMBV8306F SERIES, 304 SS, CODE	GMBV8306F415GBU
CS086-02	FLTR HSG ASSY, GMBV8306F SERIES, 304 SS	GMBV8306F415GB
CS086-03	FLTR HSG ASSY, GMBV8306F SERIES, 316 SS, CODE	GMBV8306F615GBU
CS086-04	FLTR HSG ASSY, GMBV8306F SERIES, 316 SS	GMBV8306F615GB



(73.1)

SHIPPING WEIGHT AND SIZE MAY DIFFER FROM STATED VALUES DUE TO PALLETIZING AND QUANTITY CONSIDERATIONS

VESSEL SIZE	BOXED WEIGHT (LBS)	BOX SIZE (INCHES)
SIZE 2	1015	42 x 42 x 82

REFERENCE ENGINEERING DRAWING 21064

- NOTES:
- SEE SHEET 2 FOR BILL OF MATERIALS AND NOZZLE SCHEDULE.
  - ALL MODELS COMPLY WITH REQUIREMENTS FOR DESIGN AND CONSTRUCTION IN ACCORDANCE WITH THE ASME BOILER & PRESSURE VESSEL CODE, SECTION VIII, DIVISION 1. MODELS BEARING THE "U" OR "UM" STAMP ARE REGISTERED WITH THE NATIONAL BOARD OF BOILER AND PRESSURE VESSEL INSPECTORS.
  - ASME CODE STAMPED VESSELS WILL HAVE TWO NAME PLATE BRACKETS, NON-CODE STAMPED VESSELS WILL HAVE ONE NAME PLATE BRACKET.

**PROPRIETARY AND CONFIDENTIAL**  
 THE INFORMATION CONTAINED IN THIS DRAWING IS THE SOLE PROPERTY OF GLOBAL FILTER LLC. ANY REPRODUCTION IN PART OR AS A WHOLE WITHOUT THE WRITTEN PERMISSION OF GLOBAL FILTER LLC IS PROHIBITED.

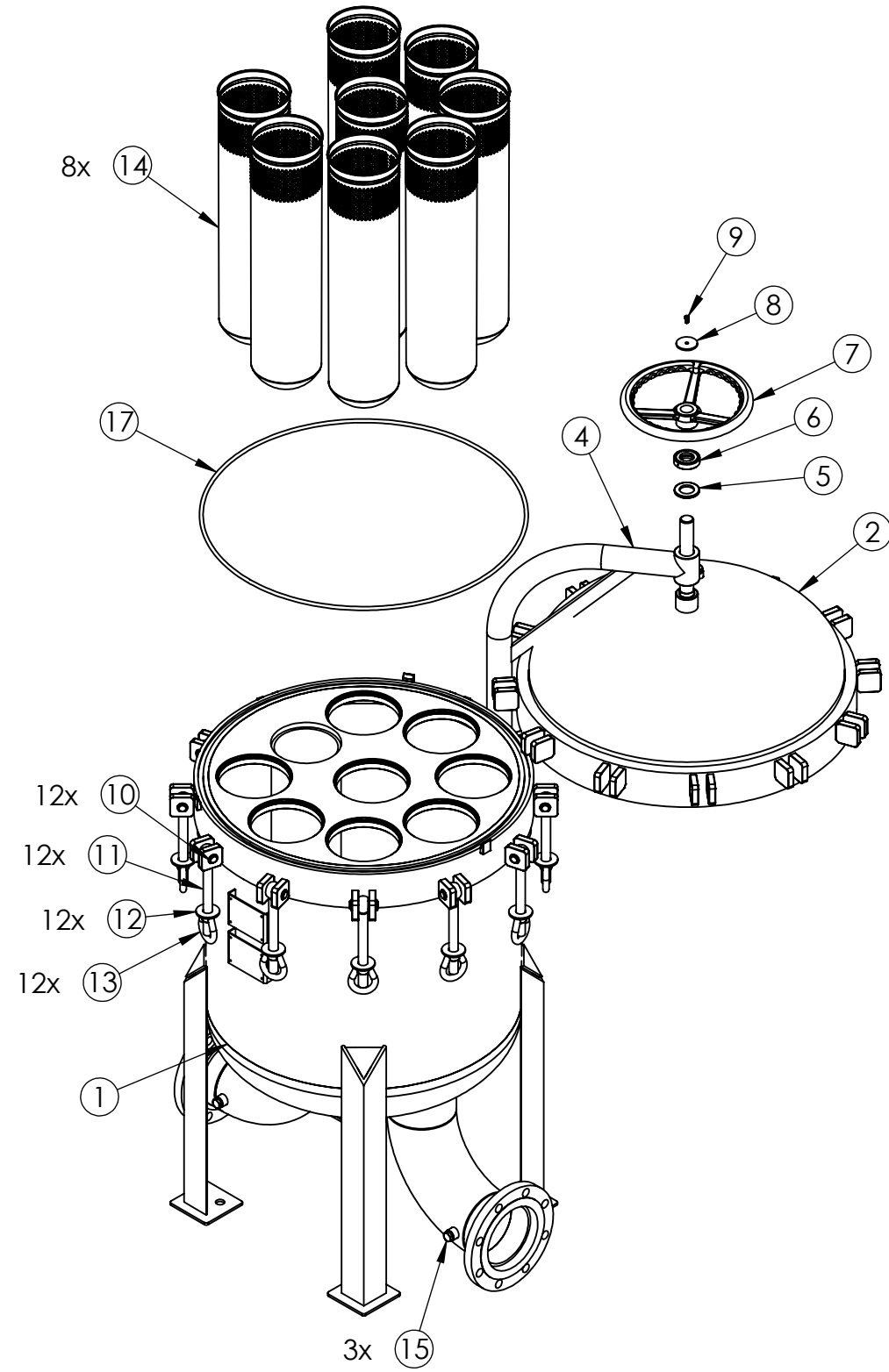
REV	EC NUMBER	MATERIAL	FINISH	NAME	DATE
B	EC180719-02	SEE TABULATION TABLE	SEE TABULATION TABLE	ME	12-8-14
A	EC141119-02			EG	12-8-14
EC HISTORY		DRAWN BY	ENG APPR.		

**GLOBAL FILTER LLC**

TITLE: **FLTR HSG ASSY, GMBV8306F SERIES, TAB**

SIZE <b>B</b>	DWG. NO. <b>CS086</b>	REV <b>B</b>
SCALE: 1:10	WEIGHT:	SHEET 1 OF 3

8 7 6 5 4 3 2 1

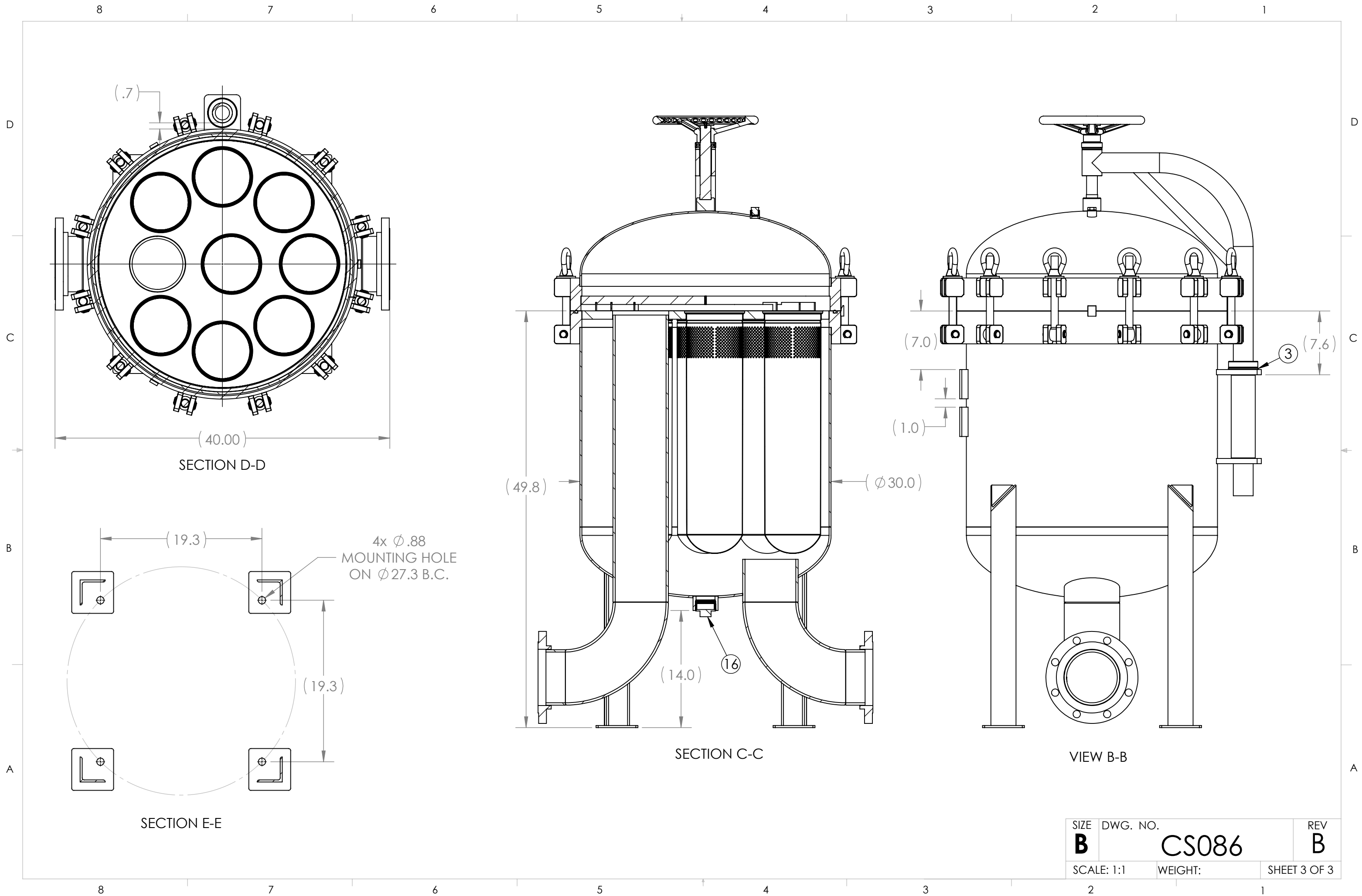


BILL OF MATERIALS

ITEM	DESCRIPTION	CS086-xx			
		-01 QTY	-02 QTY	-03 QTY	-04 QTY
1	HOUSING WELDMENT, GMBV8306F SER, 304 SS CODE	1			
	HOUSING WELDMENT, GMBV8306F SER, 304 SS		1		
	HOUSING WELDMENT, GMBV8306F SER, 316 SS CODE			1	
	HOUSING WELDMENT, GMBV8306F SER, 316 SS				1
2	LID SHELL, GMBV830 SERIES, 304 SS	1	1		
	LID SHELL, GMBV830 SERIES, 316 SS			1	1
3	THRUST WASHER, DAVIT ARM, 8 & 12 BAG VSL	1	1	1	1
4	WELDMENT, DAVIT ARM, 8 BAG VSL, 304 SS	1	1		
	WELDMENT, DAVIT ARM, 8 BAG VSL, 316 SS			1	1
5	WASHER, ROD, DAVIT ARM, 8 & 12 BAG VSL	1	1	1	1
6	7/8" THRUST BEARING	1	1	1	1
7	HAND WHEEL, 12", DAVIT ARM, 304 SS	1	1		
	HAND WHEEL, 12", DAVIT ARM, 316 SS			1	1
8	STOP WASHER, 12" HAND WHEEL	1	1	1	1
9	SCREW, SOCKET HEAD CAP, 6mm x 12mm	1	1	1	1
10	CLEVIS PIN WITH EXT RETAINING RINGS KIT	12	12	12	12
11	EYE BOLT, 7/8"-9 x 9 3/8" LONG	12	12	12	12
12	WASHER, FLAT, 7/8" USS 17-7H	12	12	12	12
13	EYE NUT, 7/8"-9, 304 SS	12	12		
	EYE NUT, 7/8"-9, 316 SS			12	12
14	BASKET, ROUND BOTTOM, SIZE 2, STD 304 SS, GLASS BEAD BLAST	8	8		
	BASKET, ROUND BOTTOM, SIZE 2, STD 316 SS, GLASS BEAD BLAST			8	8
15	1/2" HEX HEAD PIPE PLUG, 304 SS	3	3		
	1/2" HEX HEAD PIPE PLUG, 316 SS			3	3
16	2" HEX HEAD PIPE PLUG, 304 SS	1	1		
	2" HEX HEAD PIPE PLUG, 316 SS			1	1
17	O-RING, 775mm ID x 10mm CS, NITRILE	1	1	1	1

NOZZLE SCHEDULE				
NO.	QTY.	SIZE	CLASS	USED
N1	1	6" RF FLANGE	150	INLET
N2	1	6" RF FLANGE	150	OUTLET
N3	1	2" NPT	3000	DRAIN
N4	1	1/2" NPT	3000	VENT
N5	1	1/2" NPT	3000	GAUGE PORT
N6	1	1/2" NPT	3000	GAUGE PORT

SIZE <b>B</b>	DWG. NO. <b>CS086</b>	REV <b>B</b>
SCALE: 1:16	WEIGHT:	SHEET 2 OF 3



SIZE <b>B</b>	DWG. NO. <b>CS086</b>	REV <b>B</b>
SCALE: 1:1	WEIGHT:	SHEET 3 OF 3