

TABULATION		
PART NO.	DESCRIPTION	GLOBAL FILTER MODEL NO.
CS080-01	FLTR HSG ASSY, GMBV12308F SERIES, 304 SS, CODE	GMBV12308F415GBU
CS080-02	FLTR HSG ASSY, GMBV12308F SERIES, 304 SS	GMBV12308F415GB
CS080-03	FLTR HSG ASSY, GMBV12308F SERIES, 316 SS, CODE	GMBV12308F615GBU
CS080-04	FLTR HSG ASSY, GMBV12308F SERIES, 316 SS	GMBV12308F615GB

SHIPPING WEIGHT AND SIZE MAY DIFFER FROM STATED VALUES DUE TO PALLETIZING AND QUANTITY CONSIDERATIONS		
VESSEL SIZE	BOXED WEIGHT (LBS)	BOX SIZE (INCHES)
SIZE 2	1720	51 x 51 x 87

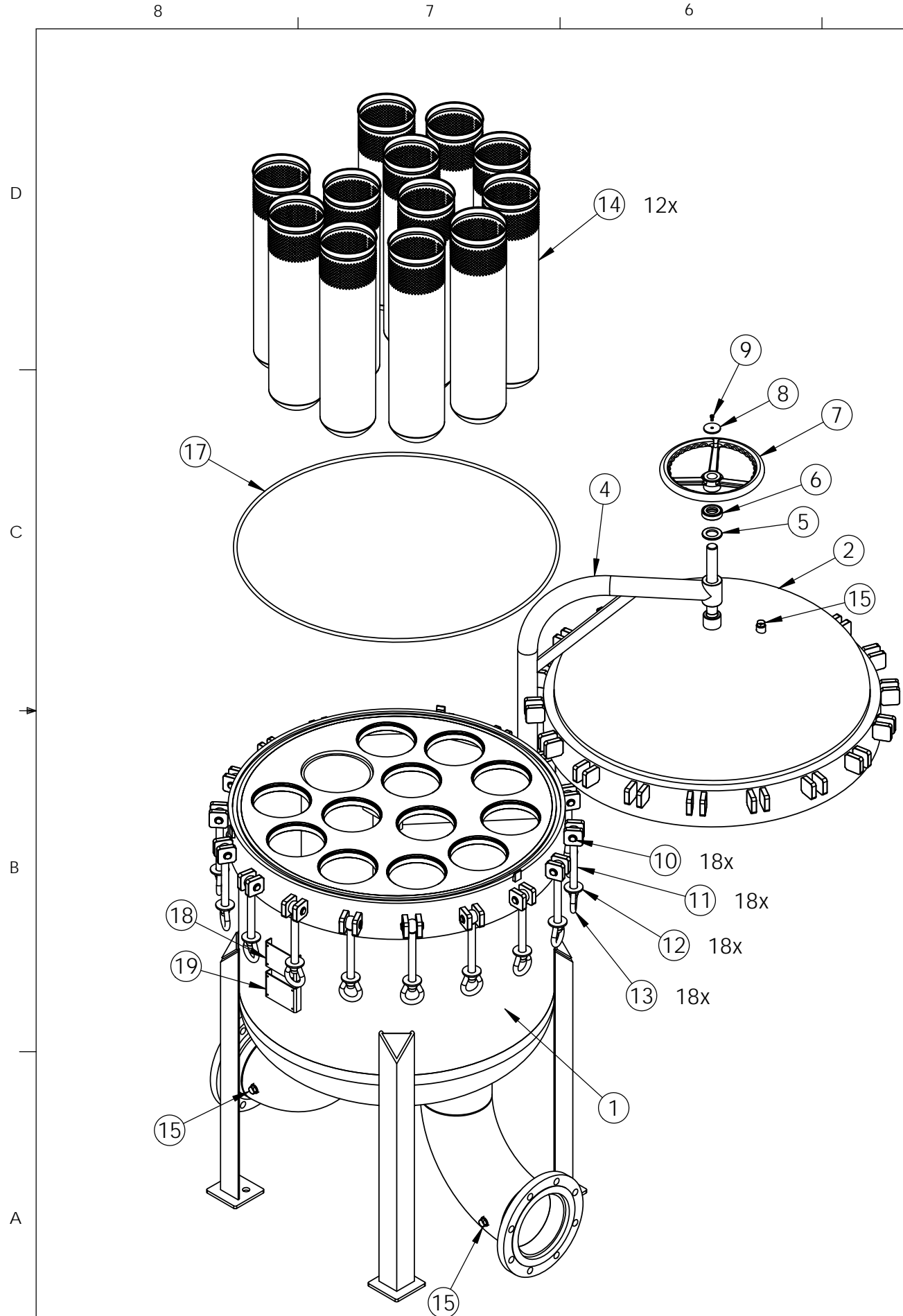
- NOTES:
- SEE SHEET 2 FOR BILL OF MATERIALS AND NOZZLE SCHEDULE.
 - ALL MODELS COMPLY WITH REQUIREMENTS FOR DESIGN AND CONSTRUCTION IN ACCORDANCE WITH THE ASME BOILER & PRESSURE VESSEL CODE, SECTION VIII, DIVISION 1. MODELS BEARING THE "U" OR "UM" STAMP ARE REGISTERED WITH THE NATIONAL BOARD OF BOILER AND PRESSURE VESSEL INSPECTORS.
 - ASME CODE STAMPED VESSELS WILL HAVE TWO NAME PLATE BRACKETS, NON-CODE STAMPED VESSELS WILL HAVE ONE NAME PLATE BRACKET.

REFERENCE ENGINEERING DRAWING 21065

PROPRIETARY AND CONFIDENTIAL
 THE INFORMATION CONTAINED IN THIS DRAWING IS THE SOLE PROPERTY OF GLOBAL FILTER LLC. ANY REPRODUCTION IN PART OR AS A WHOLE WITHOUT THE WRITTEN PERMISSION OF GLOBAL FILTER LLC IS PROHIBITED.

A		EC141015-01	
REV	EC NUMBER		
EC HISTORY			
MATERIAL		SEE TABULATION TABLE	
FINISH		GLASS BEAD	
DRAWN BY	ME	DATE	11-11-14
ENG APPR.	EG	DATE	11-13-14

GLOBAL FILTER LLC		
TITLE: FLTR HSG ASSY, GMBV12308F SERIES, TAB		
SIZE	DWG. NO.	REV
B	CS080	A
SCALE: 1:12	WEIGHT:	SHEET 1 OF 3



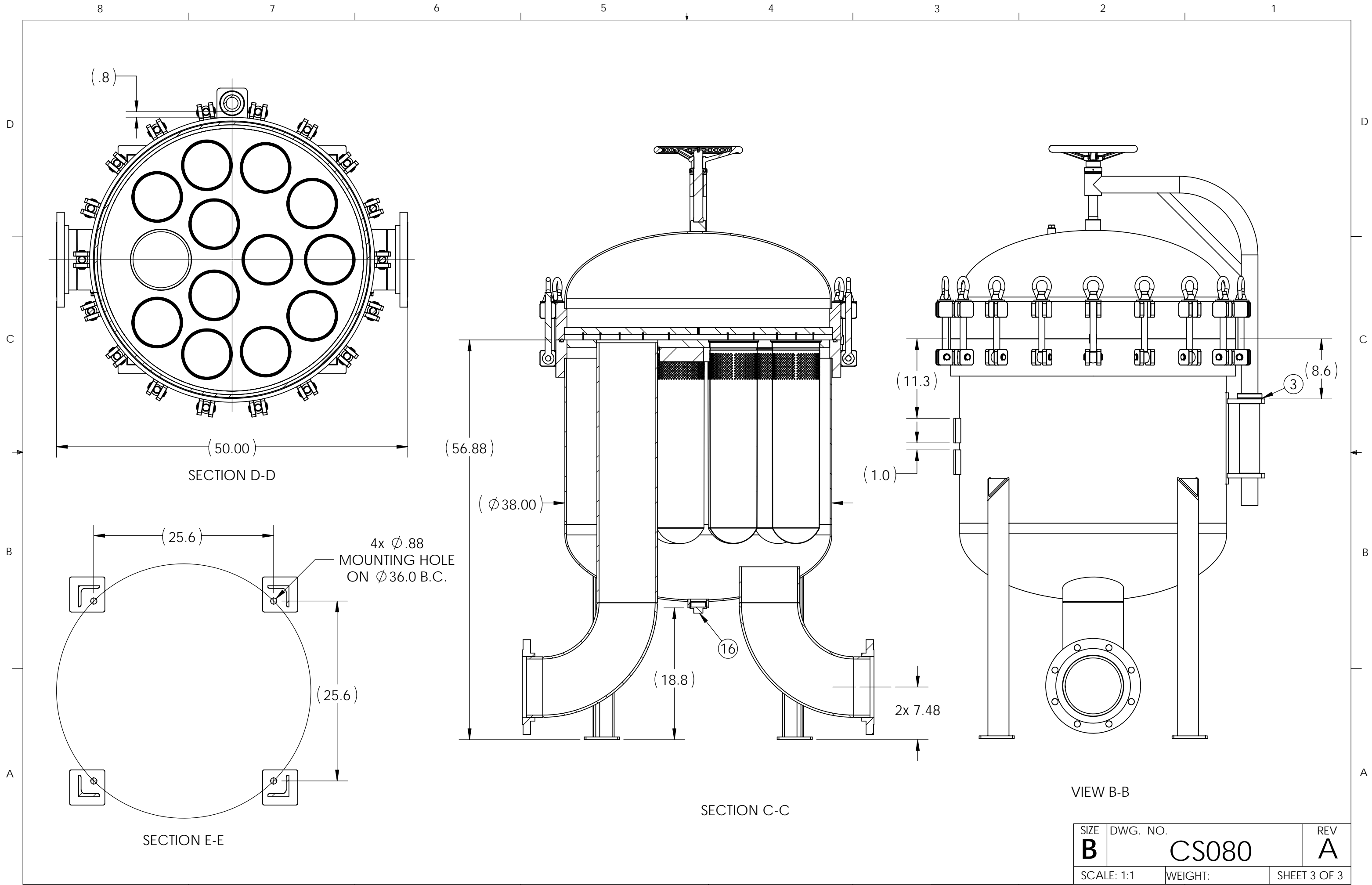
BILL OF MATERIALS

ITEM	DESCRIPTION	CS080-xx			
		-01 QTY	-02 QTY	-03 QTY	-04 QTY
1	HOUSING WELDMENT, GMBV12308F SER, 304 SS CODE	1			
	HOUSING WELDMENT, GMBV12308F SER, 304 SS		1		
	HOUSING WELDMENT, GMBV12308F SER, 316 SS CODE			1	
	HOUSING WELDMENT, GMBV12308F SER, 316 SS				1
2	WELDMENT, LID, GMBV12308F SER, 304 SS	1	1		
	WELDMENT, LID, GMBV12308F SER, 316 SS			1	1
3	THRUST WASHER, DAVIT ARM, 8 & 12 BAG VSL	1	1	1	1
4	WELDMENT, DAVIT ARM, 12 BAG VSL	1	1	1	1
5	WASHER, ROD, DAVIT ARM, 12 BAG VSL	1	1	1	1
6	THRUST BEARING, 1-3/8" ID x 2-15/32"	1	1	1	1
7	HAND WHEEL, 12", DAVIT ARM	1	1	1	1
8	STOP WASHER, 12" HAND WHEEL	1	1	1	1
9	6mm SHCS x 12mm	1	1	1	1
10	CLEVIS PIN WITH EXT. RET. RINGS KIT	18	18	18	18
11	EYE BOLT, 12 BAG	18	18	18	18
12	7/8" FLAT WASHER, 2-1/4" OD	18	18	18	18
13	EYE NUT, 7/8"-9B3	18	18	18	18
14	BASKET, ROUND BOTTOM, SIZE 2, STD 304 SS, GLASS BEAD BLAST	12	12		
	BASKET, ROUND BOTTOM, SIZE 2, STD 316 SS, GLASS BEAD BLAST			12	12
15	1/2" NPT PIPE PLUG	3	3	3	3
16	2" NPT PIPE PLUG	1	1	1	1
17	O-RING, 975mm ID x 11mm CS, NITRILE 70	1	1	1	1
18	ASME CODE DATA PLATE	1	1	1	1
19	AUXILIARY DATA PLATE	1	1	1	1

NOZZLE SCHEDULE

NO.	QTY.	SIZE	CLASS	USED
N1	1	8" RF FLANGE	150	INLET
N2	1	8" RF FLANGE	150	OUTLET
N3	1	1/2" NPT	3000	DRAIN
N4	1	1/2" NPT	3000	VENT
N5	1	1/2" NPT	3000	GAUGE PORT
N6	1	1/2" NPT	3000	GAUGE PORT

SIZE B	DWG. NO. CS080	REV A
SCALE: 1:16	WEIGHT:	SHEET 2 OF 3



SIZE B	DWG. NO. CS080	REV A
SCALE: 1:1	WEIGHT:	SHEET 3 OF 3