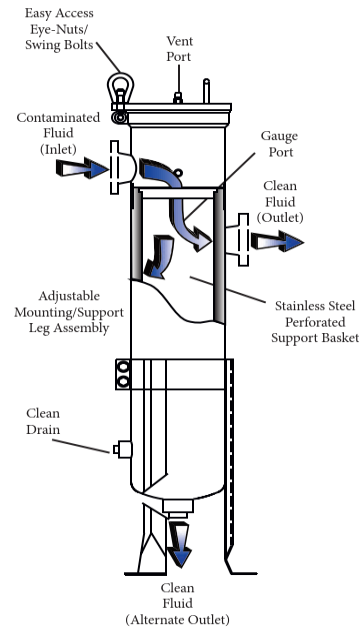


GBFV8-Series Stainless Steel Single Bag Liquid Vessels

GBFV8-Series Stainless Steel Bag Vessels are designed to meet and/or exceed nearly all application requirements. The V-ring design provides a positive snap-fit to ensure against by-pass and deliver clean effluent. Our filters are, as standard, manufactured under PED 2014/68 / EU art. 4§3 and valid for the use of non-hazardous liquids up to a pressure of 10 bars. The use for higher pressure of dangerous liquids or gases is optional (PED 2014/68 / EU category I, II or III).

Features

- BSPT or RF flange under EN 1092-1 for Inlet/outlet connections. All other type on specific demand
- Stainless steel construction with support perforated baskets (hole Ø3mm)
- Adjustable tripod mounting/support leg assemblies
- Easy-access eye-nut/swing-bolt closures with handle
- 304 or 316L stainless steel construction options uni-style (side & bottom outlet) offers increased piping flexibility
- Single o-ring seal (Buna-N standard). All other material possible on request.
- 10 bar pressure rating standard
- Under ASME design code, other design code on request
- Fluid must be Non hazardous liquid, other fluid on request



Options

- ASME Code Stamp
- Electropolished Finish
- Sanitary porting
- Mesh-lined/perforated baskets
- Alternate seal materials
 - EPDM
 - Silicone

Flow Rate

Model	Bag Size	EFA (m ²)	Max Flow Rate (m ³ /h)*
GBFV815	#1	0.25	20
GBFV830	#2	0.5	25 if DN50 , 35 if DN80

* Is the maximum flow rate recommended through the vessel without a filter bag installed (using water). Any increase in viscosity and/or the installation of filter bags will reduce these flow rates significantly. Please refer to the appropriate bag filter sizing chart or consult with your Global Filter representative when sizing.

Ordering Information

GBFV8	Basket Depth	Inlet/Outlet Size	Inlet/Outlet Style	Outlet	Material	Pressure Rating	Surface Finish
	15 = #1 Size	2 = DN50/2"	B = BSPT female	1 = Bottom Outlet	4 = 304 SS	15 = 10 bar	GB = Glass Bead
	30 = #2 Size	2 = DN50/2"	D = PN16 type11 Flange EN 1092-1	2 = Opposite Outlet	6 = 316L SS		EP = Electropolished
		3 = DN80/3"		3 = Bottom & Opposite*			

* only for Inlet/Outlet style BSPT Female

Specific performance can vary widely depending on contaminant type, fluid properties, flow rates and environmental conditions. It is recommended that users conduct thorough qualification testing to assure the product functions as required.

DS_GBfV8_240619